

# Hydro Planer Heads



## Application:

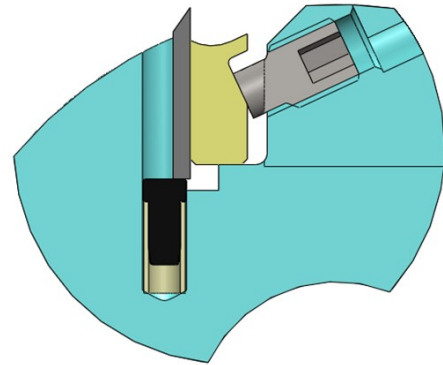
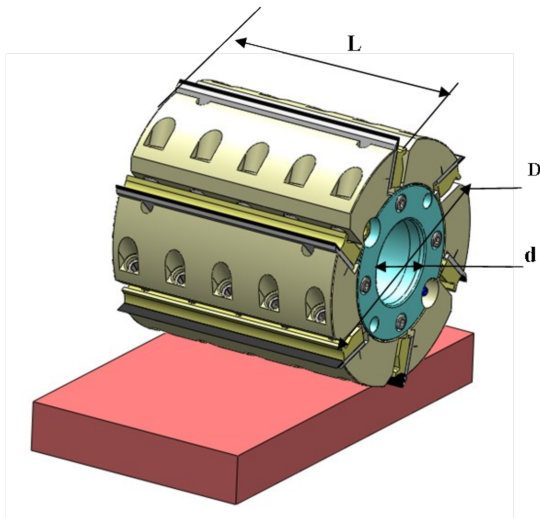
For precision High Speed Steel planing on all long length solid timbers.

Suitable for mechanical feed spindle moulders and all 4, 6 & 8 head through feed spindle moulders.

## Technical Details:

All steel construction. All tools are dynamically balanced for smooth running.

Bores to H7 tolerance.



## Special Features

High strength steel construction with precision high strength clamping of planer knife.

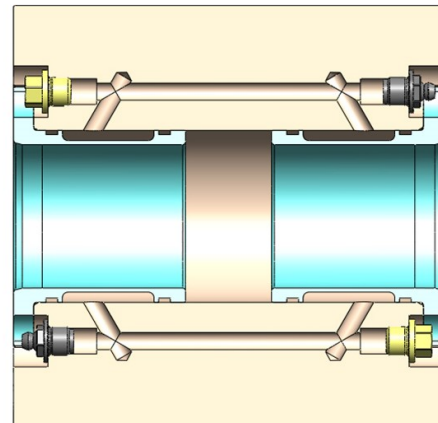
The precise cutting circle ensures high speeds and superb finish.

Fully sealed Hydro clamping system for precise concentricity.

No vibration resulting in the ultimate cut.

## Technical Information

Diameter	Max Rpm
122	9000
125	9000
136	8500
150	8000
163	8000
203	7500
250	6000
300	6000
350	6000



Bore Size	Psi	Bar Rating
40	3970	270
45	3970	270
50	4400	300
76.2	4400	300
88.9	4700	320
101.6	4700	320

# Hydro Planer Heads



## Application:

For precision High Speed Steel planing on all long length solid timbers.  
Suitable for mechanical feed spindle moulders and all 4 & 6 head through feed spindle moulders.

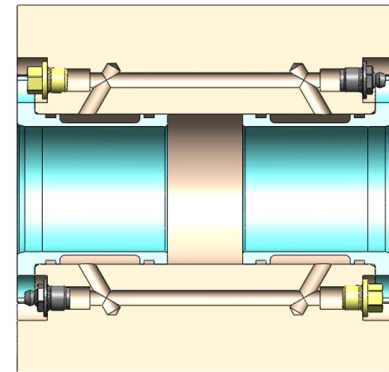
## Special Features

High strength steel construction.  
Fully sealed Hydro clamping system for precise concentricity.  
No vibration resulting in the ultimate cut.



150 mm Dia x 4 Wing x 40 Bore Z=No of Wings

CODE	D	d	L
HSPH 15040-Z4-40	150	40	40
HSPH 15060-Z4-40	150	40	60
HSPH 15080-Z4-40	150	40	80
HSPH 150100-Z4-40	150	40	100
HSPH 150120-Z4-40	150	40	120
HSPH 150130-Z4-40	150	40	130
HSPH 150150-Z4-40	150	40	150
HSPH 150180-Z4-40	150	40	180
HSPH 150200-Z4-40	150	40	200
HSPH 150230-Z4-40	150	40	230
HSPH 150240-Z4-40	150	40	240
HSPH 150310-Z4-40	150	40	310



## Spare Parts

Clamp Strip SGB2210-Length  
Clamp Screw M12 x 20 DPGS  
Allen Key 6mm A/F

150 mm Dia x 6 Wing x 40 Bore Z=No of Wings

CODE	D	d	L
HSPH 15040-Z6-40	150	40	40
HSPH 15060-Z6-40	150	40	60
HSPH 15080-Z6-40	150	40	80
HSPH 150100-Z6-40	150	40	100
HSPH 150120-Z6-40	150	40	120
HSPH 150130-Z6-40	150	40	130
HSPH 150150-Z6-40	150	40	150
HSPH 150180-Z6-40	150	40	180
HSPH 150200-Z6-40	150	40	200
HSPH 150230-Z6-40	150	40	230
HSPH 150240-Z6-40	150	40	240
HSPH 150310-Z6-40	150	40	310

150 mm Dia x 4 Wing x 50 Bore Z=No of Wings

CODE	D	d	L
HSPH 15040-Z4-50	150	50	40
HSPH 15060-Z4-50	150	50	60
HSPH 15080-Z4-50	150	50	80
HSPH 150100-Z4-50	150	50	100
HSPH 150120-Z4-50	150	50	120
HSPH 150130-Z4-50	150	50	130
HSPH 150150-Z4-50	150	50	150
HSPH 150180-Z4-50	150	50	180
HSPH 150200-Z4-50	150	50	200
HSPH 150230-Z4-50	150	50	230
HSPH 150240-Z4-50	150	50	240
HSPH 150310-Z4-50	150	50	310

# Hydro Planer Heads



150 mm Dia x 6 Wing x 50 Bore Z=No of Wings

CODE	D	d	L
HSPH 15040-Z6-50	150	50	40
HSPH 15060-Z6-50	150	50	60
HSPH 15080-Z6-50	150	50	80
HSPH 150100-Z6-50	150	50	100
HSPH 150120-Z6-50	150	50	120
HSPH 150130-Z6-50	150	50	130
HSPH 150150-Z6-50	150	50	150
HSPH 150180-Z6-50	150	50	180
HSPH 150200-Z6-50	150	50	200
HSPH 150230-Z6-50	150	50	230
HSPH 150240-Z6-50	150	50	240
HSPH 150310-Z6-50	150	50	310

163 mm Dia x 6 Wing x 50 Bore Z=No of Wings

CODE	D	d	L
HSPH 16340-Z6-50	163	50	40
HSPH 16360-Z6-50	163	50	60
HSPH 16380-Z6-50	163	50	80
HSPH 163100-Z6-50	163	50	100
HSPH 163120-Z6-50	163	50	120
HSPH 163130-Z6-50	163	50	130
HSPH 163150-Z6-50	163	50	150
HSPH 163180-Z6-50	163	50	180
HSPH 163200-Z6-50	163	50	200
HSPH 163230-Z6-50	163	50	230
HSPH 163240-Z6-50	163	50	240
HSPH 163310-Z6-50	163	50	310

203 mm Dia x 12 Wing x 50 Bore Z=No of Wings

CODE	D	d	L
HSPH 20340-Z12-50	203	50	40
HSPH 20360-Z12-50	203	50	60
HSPH 20380-Z12-50	203	50	80
HSPH 203100-Z12-50	203	50	100
HSPH 203120-Z12-50	203	50	120
HSPH 203130-Z12-50	203	50	130
HSPH 203150-Z12-50	203	50	150
HSPH 203180-Z12-50	203	50	180
HSPH 203200-Z12-50	203	50	200
HSPH 203230-Z12-50	203	50	230
HSPH 203240-Z12-50	203	50	240
HSPH 203310-Z12-50	203	50	310

163 mm Dia x 4 Wing x 50 Bore Z=No of Wings

CODE	D	d	L
HSPH 16340-Z4-50	163	50	40
HSPH 16360-Z4-50	163	50	60
HSPH 16380-Z4-50	163	50	80
HSPH 163100-Z4-50	163	50	100
HSPH 163120-Z4-50	163	50	120
HSPH 163130-Z4-50	163	50	130
HSPH 163150-Z4-50	163	50	150
HSPH 163180-Z4-50	163	50	180
HSPH 163200-Z4-50	163	50	200
HSPH 163230-Z4-50	163	50	230
HSPH 163240-Z4-50	163	50	240
HSPH 163310-Z4-50	163	50	310

163 mm Dia x 8 Wing x 50 Bore Z=No of Wings

CODE	D	d	L
HSPH 16340-Z8-50	163	50	40
HSPH 16360-Z8-50	163	50	60
HSPH 16380-Z8-50	163	50	80
HSPH 163100-Z8-50	163	50	100
HSPH 163120-Z8-50	163	50	120
HSPH 163130-Z8-50	163	50	130
HSPH 163150-Z8-50	163	50	150
HSPH 163180-Z8-50	163	50	180
HSPH 163200-Z8-50	163	50	200
HSPH 163230-Z8-50	163	50	230
HSPH 163240-Z8-50	163	50	240
HSPH 163310-Z8-50	163	50	310

225 mm Dia x 16 Wing x 50 Bore Z=No of Wings

CODE	D	d	L
HSPH 22540-Z16-50	225	50	40
HSPH 22560-Z16-50	225	50	60
HSPH 22580-Z16-50	225	50	80
HSPH 225100-Z16-50	225	50	100
HSPH 225120-Z16-50	225	50	120
HSPH 225130-Z16-50	225	50	130
HSPH 225150-Z16-50	225	50	150
HSPH 225180-Z16-50	225	50	180
HSPH 225200-Z16-50	225	50	200
HSPH 225230-Z16-50	225	50	230
HSPH 225240-Z16-50	225	50	240
HSPH 225310-Z16-50	225	50	310