

Joint And Rebate Router

3 + 3 Wing



Application:

For use on CNC and overhead routing machines to produce a rebates in edge of timber or sizing and edge profiling up to 50 mm thick board.

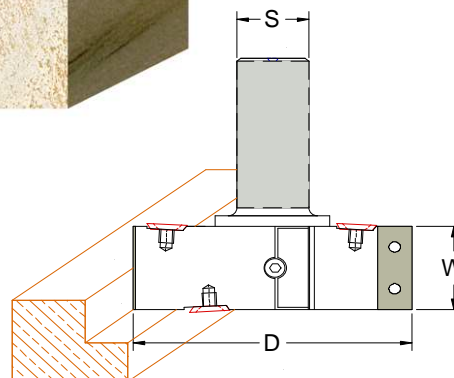
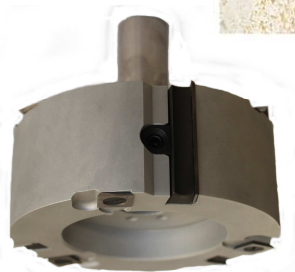
Tool has 3 cutting edges + 3 scribes on bottom.

Special Features:

Ground Steel shank and Heat Treated aluminium body ensures precision running with light weight.

Scribes give accurate width and smooth faces on slot sides.

Tools are 3+3 wing for smooth running and high chip clearance.



Sizes Available

CODE	D	S	W	No. Wings	Inserts	Scribes
DJR 8030-20 or 25	80	20 or 25	30	3+3	30x12x1.5	14x14x2
DJR 8040-20 or 25	80	20 or 25	40	3+3	40x12x1.5	14x14x2
DJR 8050-20 or 25	80	20 or 25	50	3+3	50x12x1.5	14x14x2
DJR 12530-20 or 25	125	20 or 25	30	3+3	30x12x1.5	14x14x2
DJR 12540-20 or 25	125	20 or 25	40	3+3	40x12x1.5	14x14x2
DJR 12550-20 or 25	125	20 or 25	50	3+3	50x12x1.5	14x14x2

Spare Parts

Wedge	W3012-TS-T3 W4012-TS-T3 W5012-TS-T3
Screw	M6 x 16 TH
Scribe Screw	SS-M5 x 12
Key	5AF TEE

LAST DIGITS ON CODE NUMBER DENOTES SHANK SIZE CHOOSE EITHER 20 OR 25.

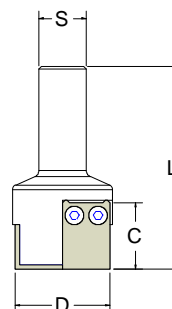
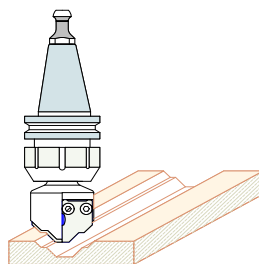
Profile Router Bits

2 Wing

Application:

For use on C.N.C routers or similar machines where a special profile is required to be machined on all solid woods, man made composite panels, plastics, and some aluminum composite panels.

Particularly suitable for door and panel production.



Sizes Available.

CODE	D	C	L	Shank	No Wings	Inserts
DPR 4016-16 or 20	40	20	100	16 or 20	2	20x30x2 FT
DPR 5021-16 or 20	50	25	110	16 or 20	2	25x35x2 FT
DPR6040-16 or 20	60	40	120	16 or 20	2	40x30x2FT
DPR6050-16 or 20	60	50	130	16 or 20	2	50x30x2FT
DPR8050-16 or 20	80	50	130	16 or 20	2	50x40x2FT
DPR5025-16 or 20	50	25	100	16 or 20	2	25x25x2 OS
DPR6030-16 or 20	60	30	110	16 or 20	2	30x30x2 OS
DPR7035-16 or 20	70	35	140	16 or 20	2	35x35x2 OS
DPR 8040-16 or 20	80	40	140	16 or 20	2	40x40x2 OS
DPR 10050-16 or 20	100	50	140	16 or 20	2	50x50x2 OS

Tools come complete with blank inserts ready for profiling. Alternatively, CROWN TOOLING will profile tool ready for use. Specials tools to suite certain applications can be manufactured on short delivery.

Spare Parts

Screw	M4 x 8HD
Key	T15 Flag

LAST DIGITS ON CODE NUMBER DENOTES SHANK SIZE CHOOSE EITHER 16 OR 20.